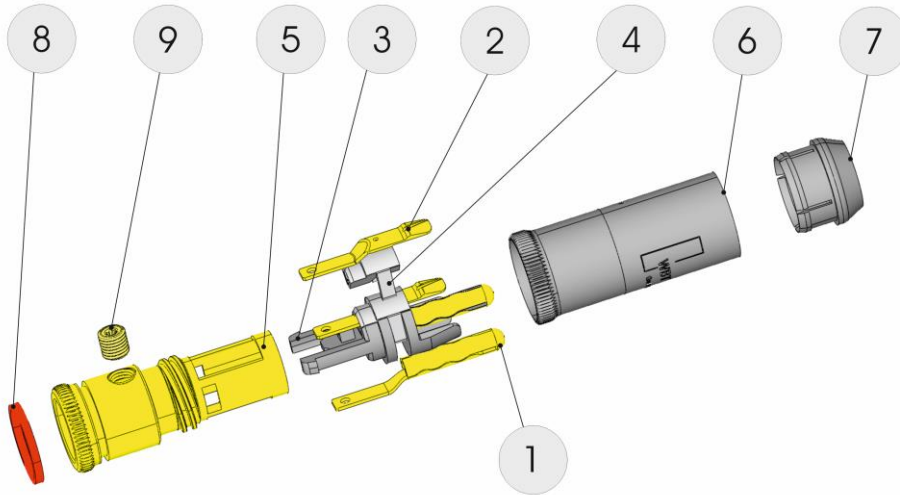


All dimensions in mm



Component list

| | | |
|---|---------------------------------------|---|
| 1 | Signal Conductor 'Plus', pure copper | 1 |
| 2 | Signal Conductor 'Minus', pure copper | 1 |
| 3 | Dielectric 'Plus', PA | 1 |
| 4 | Dielectric 'Minus', LCP | 1 |
| 5 | Holding Unit, brass | 1 |
| 6 | Shaft of Clamping Barrel, brass | 1 |
| 7 | Head of Clamping Barrel, brass | 1 |
| 8 | Marking Ring, Desmopan ¹⁾ | 1 |
| 9 | Torx ²⁾ Screw M4x4, brass | 1 |

Extent of delivery 1 – 9 assembled

Revision date 10.10.2025

¹⁾Desmopan® is a registered trademark of Bayer AG • ²⁾Torx® is a registered trademark of Camcar Textron • WBT, nextgen™ and PlasmaProtect™ are registered trademarks of WBT-Industrie GmbH

WBT - nextgen™

- Hybrid construction for high contact quality
- Environmentally friendly and resource-saving production
- Fully automated production Made in Germany, 100%!

WBT-0102 Cu nextgen™ RCA Plug

RCA wideband plug for analog and digital connections



RoHS compliant

Characteristic Impedance 75 Ω up to 200 MHz
(for well shielded analog and digital wide band connections)



WARNING

This product can expose you to chemicals including phthalates, lead or lead compounds which are known to the State of California to cause cancer and birth defects or other reproductive harm. For more information go to www.P65Warnings.ca.gov.

1. Mechanics

- single-element low-tolerance contact elements (Tol. ± 0.02 mm)
- central contact unit consisting of two moulded contact holders (1), (3) and (2), (4)
- the brazen Holding Unit (5) grips the central contact unit and also provides the cable strain relief thanks to the Grub Screw (9) (Torx²⁾ T.6)
- the brazen Clamping Barrel (6), (7) is axially screwed over the thread of the holder and provides a permanent tight contact pressure. This way, the plug can be adopted perfectly by every type of RCA socket
- EMC shielding is effectively achieved by the Clamping Barrel (6), (7) and the Holding Unit (5)

2. Materials

- Signal Conductors (1), (2) pure copper
- Dielectric 'Plus' (3) PA, glass fibre reinforced
- Dielectric 'Minus' (4) LCP
- Grub Screw (9) brass
- Holding Unit (5) brass
- Clamping Barrel (6), (7) brass, chromium-plated
- Marking Ring (8) Desmopan 192¹⁾, coloured versions available according to the EIA/CEA norm for multi channel systems

3. Surfaces

- Signal Conductor (1), (2) 24k nickel-free direct gold plating by PlasmaProtect™, non-ferromagnetic
- Clamping Barrel (6), (7) chromium-plated, two-layer coating
- Holding Unit (5) nickel-free gold-plated

4. Operating Characteristics (reliably observed after more than 10³ connections/disconnections)

- Permanent current $I_D > 10$ A
- Transition resistance $R_{tr} < 0.1$ mOhm
- Contact resistance $R_{ci}, R_{ca} < 0.45$ mOhm (patch resistance, inner/outer)
- Self capacitance $C \approx 2.82$ pF
- Insulation resistance $R_{ia}, R_{ag} > 1.3 \cdot 10^9$ Ohm (conductor/conductor, conductor/chassis)
- Characteristic impedance $Z = 75$ Ohm up to 200 MHz

5. Dimensions

- Outer / inner diameter 13.6 / 9.2 mm
- Total length 51 mm

6. Mounting

- Connection soldering / crimping (2.8 mm flat push-on cable shoe)
- Cables for cables up to 9 mm dia.

Warning: The use of contacting agents and cleaners containing solvents can lead to damage to the plastic components.