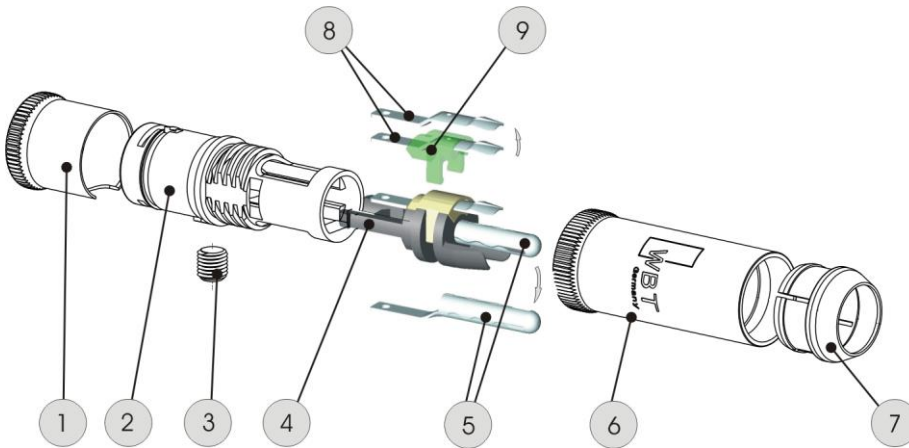


All dimensions in mm



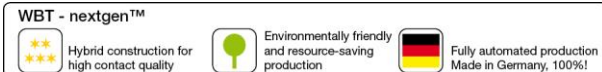
Component list

1	Cap, brass	1
2	Holding Unit, PA	1
3	Torx ¹⁾ Screw M4x4, brass	1
4	Dielectric 'Plus', PA	1
5	Signal Conductor 'Plus', fine silver	1
6	Shaft of Clamping Barrel, brass	1
7	Head of Clamping Barrel, brass	1
8	Signal Conductor 'Minus', fine silver	1
9	Dielectric 'Minus', LCP	1

Extent of delivery 1 – 9 assembled

Revision date 10.10.2025

¹⁾Torx® is a registered trademark of Camcar Textron • ²⁾Ultramid® is a registered trademark of BASF SE • WBT and nextgen™ are registered trademarks of WBT-Industrie GmbH



WBT-0114 Ag nextgen™ RCA Plug

RCA / Cinch wideband plug for digital and analog connections



RoHS compliant

Characteristic Impedance 75 Ω up to 400 MHz

(for shielded analog broad band applications and 75 Ω digital connections)



WARNING

This product can expose you to chemicals including phthalates, lead or lead compounds which are known to the State of California to cause cancer and birth defects or other reproductive harm. For more information go to www.P65Warnings.ca.gov.

1. Mechanics

- single-element low-tolerance contact elements (Tol. $\pm 0.02\text{ mm}$)
- central contact unit consisting of two moulded contact holders (4), (5) and (8), (9)
- the Ultramid²⁾Holding Unit (2) grips the central contact unit and also provides the cable strain relief thanks to the Grub Screw (3)
- the brazen Clamping Barrel (6), (7) is axially screwed over the thread of the holder and provides a permanent tight contact pressure. This way, the plug can be adopted perfectly by every type of RCA / Cinch socket
- EMC shielding is effectively achieved by the Clamping Barrel (6), (7) and the Cap (1)

2. Materials

- Signal Conductors (5), (8) fine silver
- Dielectric 'Plus' (4) PA, glass fibre reinforced
- Dielectric 'Minus' (9) LCP
- Cap (1), Grub Screw (3) brass
- Holding Unit (2) PA, glass fibre reinforced
- Clamping Barrel (6), (7) brass

3. Oberflächen

- Signal Conductor (5), (8) fine silver, pure
- Clamping Barrel (6), (7) matte black galvanized
- Cap (1) silver-coloured galvanized
- Holding Unit (2) coloured versions available according to the EIA/CEA standard for multi channel systems

4. Operating Characteristics (reliable observed after more than 10³ connections/disconnections)

- Permanent current $I_0 > 10\text{ A}$
- Transition resistance $R_{\text{Ü}} < 0,1\text{ mOhm}$
- Contact resistance $R_{\text{BI}}, R_{\text{BA}} < 0,1\text{ mOhm}$ (patch resistance, inner/outer)
- Self capacitance $C \approx 2,5\text{ pF}$
- Insulation resistance $R_{\text{ia}}, R_{\text{ag}} > 10^{10}\text{ Ohm}$ (conductor/conductor, conductor/chassis)
- Characteristic impedance $Z = 75\text{ Ohm}$ up to 400 GHz

5. Dimensions

- Outer / inner diameter 13.6 / 9 mm
- Total length 51 mm

6. Mounting

- Connection soldering, crimping (2.8 mm flat push-on cable shoe)
- Cables for cables up to 9 mm dia.

Warning: The use of contacting agents and cleaners containing solvents can lead to damage to the plastic components.